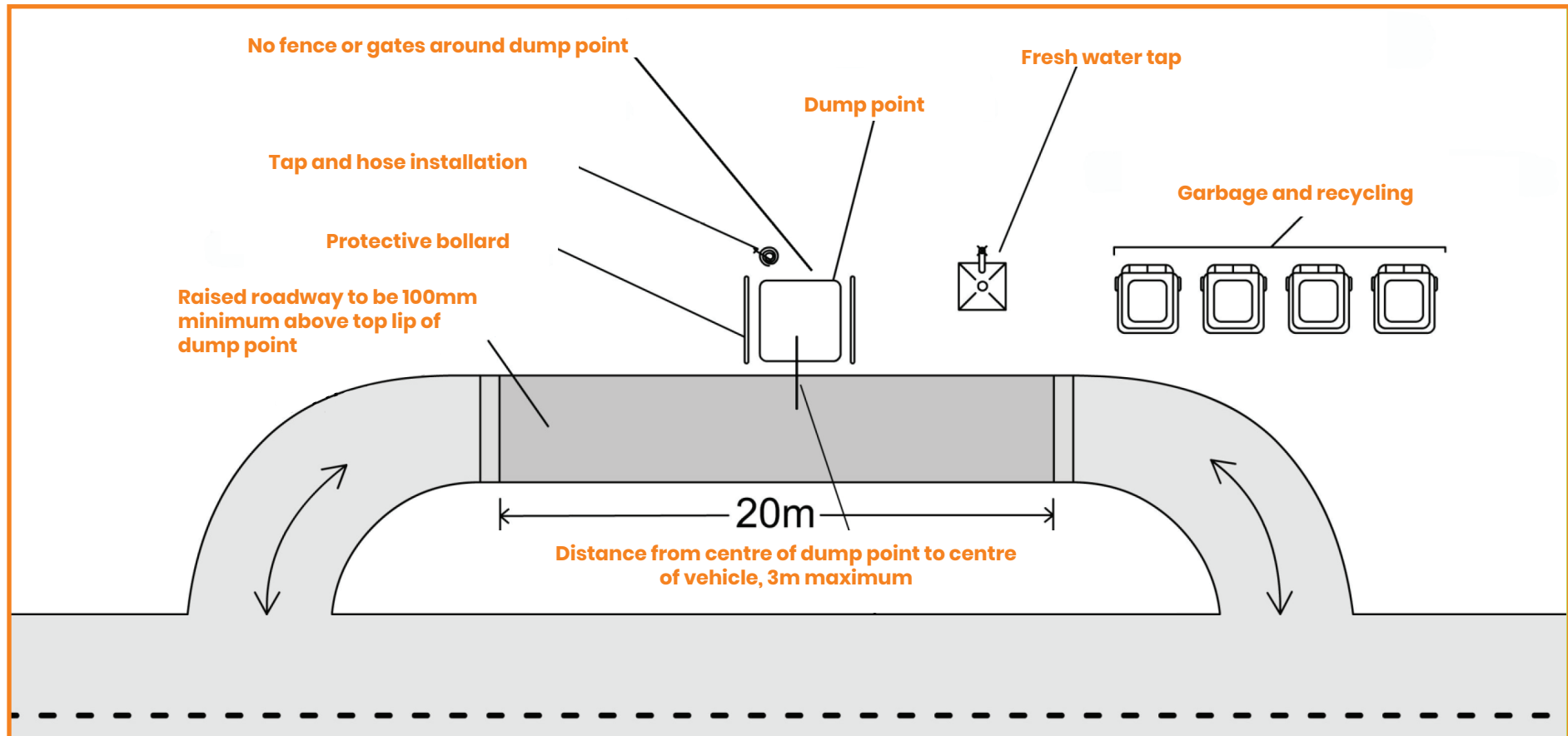


An Optimal Dump Point Installation



An Optimal Dump Point Installation

